

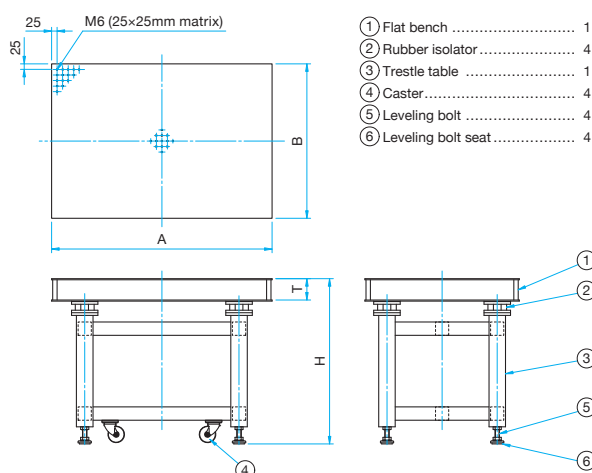
Simple optical lab bench fitted with a table frame and rubber isolators placed between the bench and the table frame provides a basic level of vibration isolation.



- The inside of the bench is aluminum honeycomb, which is lightweight with excellent stiffness.
- The vibration isolating legs have high stiffness and stability.
- The top surface of the bench is magnetic stainless steel plate, with tapped holes (M6 25x25mm matrix) over the entire surface allowing both magnetic type and screw fixing type systems or equipment to be mounted.

Outline Drawing

OSDVI0-R series



* For products with bench thickness (T) 150mm or less, placement of the pipes connecting the table legs is different.

Attention

- ▶ Because of the weight, delivery cost will be quoted separately. Use the carry-in route and installation environment question sheet. Reference D016 Catalog Code W6001

Common Specifications

Vibration Isolation Method	Rigid supports with elastomer mounts
Honeycomb Material inside Bench	Steel
Bench Material	Upper plate: 4.0mm thickness 430 series ferro magnetic stainless steel plate, smooth sanded finish Lateral surface: 2.0mm thickness carbon steel plate with damped wood composite, vinyl convert finish Lower plate: 4.0mm thickness carbon steel plate epoxy painted finish
Bench Top Surface	M6 tapped holes on 25x25mm matrix over the entire surface (Leaving 37.5mm around the edges)
Bench Top Surface Finish	Unpainted (smooth sanded finish)
Surface Flatness	±0.1mm over 600mm square
Hole/Core Sealing	Easy clean cylindrical cup (25mm deep)

Specifications

Part Number	A × B [mm]	H [mm]	T [mm]	Load capacity [kg]	Weight [kg]
OSDVI0-R-0909M-100t(800H)	900× 900	800	100	300	149
OSDVI0-R-1007M-100t(800H)	1,000× 700	800	100	310	135
OSDVI0-R-1206M-100t(800H)	1,200× 600	800	100	310	136
OSDVI0-R-1207M-100t(800H)	1,200× 700	800	100	290	154
OSDVI0-R-1209M-100t(800H)	1,200× 900	800	100	260	185
OSDVI0-R-1506M-100t(800H)	1,500× 600	800	100	390	182
OSDVI0-R-1507M-100t(800H)	1,500× 700	800	100	370	202
OSDVI0-R-1509M-200t(800H)	1,500× 900	800	200	310	264
OSDVI0-R-1510M-200t(800H)	1,500×1,000	800	200	290	279
OSDVI0-R-1512M-200t(800H)	1,500×1,200	800	200	240	324
OSDVI0-R-1515M-200t(800H)	1,500×1,500	800	200	180	391
OSDVI0-R-1806M-200t(800H)	1,800× 600	800	200	340	229
OSDVI0-R-1807M-200t(800H)	1,800× 700	800	200	320	249
OSDVI0-R-1809M-200t(800H)	1,800× 900	800	200	270	301
OSDVI0-R-1812M-200t(800H)	1,800×1,200	800	200	190	382
OSDVI0-R-1815M-200t(800H)	1,800×1,500	800	200	420	463
OSDVI0-R-2010M-200t(800H)	2,000×1,000	800	200	520	357
OSDVI0-R-2012M-200t(800H)	2,000×1,200	800	200	460	416
OSDVI0-R-2015M-200t(800H)	2,000×1,500	800	200	380	505
OSDVI0-R-2409M-300t(800H)	2,400× 900	800	300	440	448
OSDVI0-R-2412M-300t(800H)	2,400×1,200	800	300	320	573
OSDVI0-R-2415M-300t(800H)	2,400×1,500	800	300	200	696
OSDVI0-R-3009M-300t(800H)	3,000× 900	800	300	350	580
OSDVI0-R-3010M-300t(800H)	3,000×1,000	800	300	300	629
OSDVI0-R-3012M-300t(800H)	3,000×1,200	800	300	200	734
OSDVI0-R-3015M-300t(800H)	3,000×1,500	800	300	450	891
OSDVI0-R-3612M-300t(800H)	3,600×1,200	800	300	480	859
OSDVI0-R-3615M-300t(800H)	3,600×1,500	800	300	309	1046